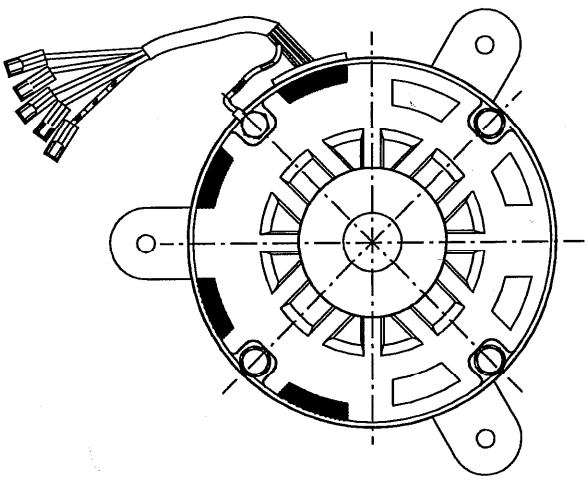
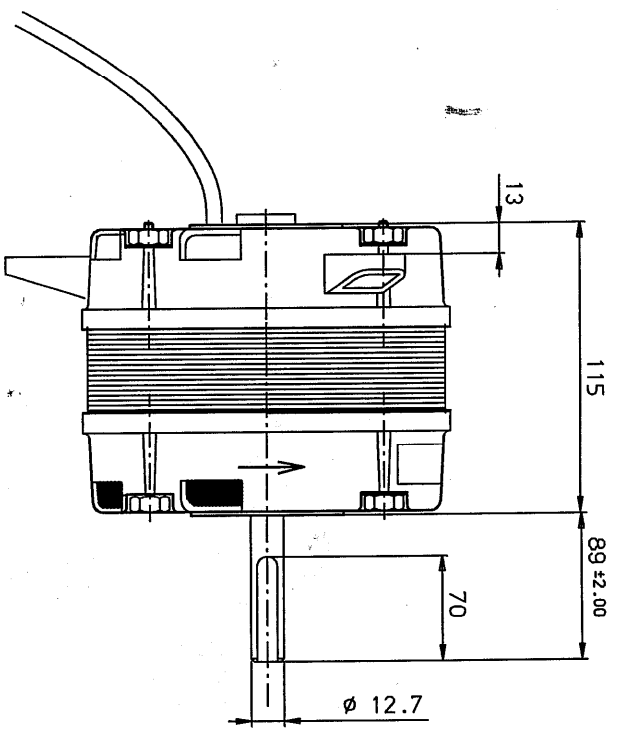
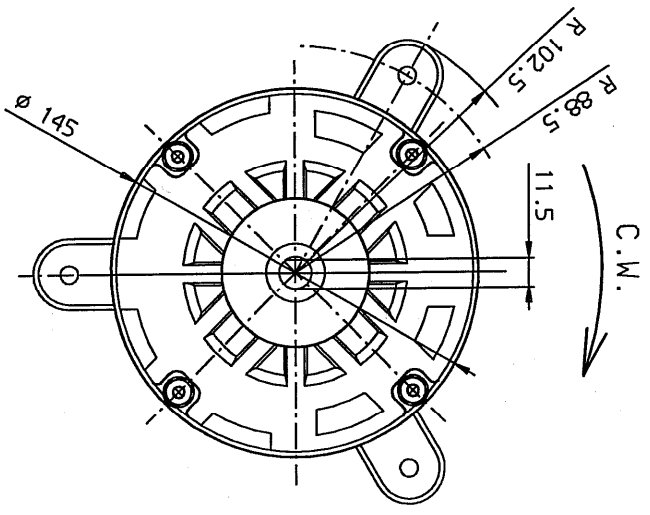


5034

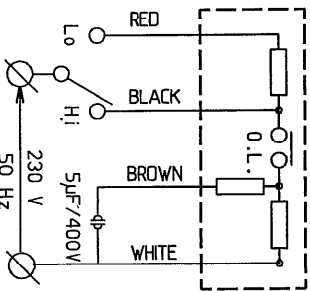
UNICON

PRINT COLOR: BLACK

TYPE	6385034	UNICON	DYNAR
CLB	THPR	5UF/400V	
IPH	230V	50Hz	1.4A
RPM:	900/700		HP:1/4
			DATE



WRES CAT No:	1625034	LEV:
DESCRIPTION	COLOR	LENGTH
LEADS	BLACK RED BROWN WHITE YELLOW/GREEN	1100±50
ø12mm PVC SLEEVE	BLACK	900±50
		FEMALE FASTON 250 + COVER



DRWG.	4502	Motor Label	UNICON
Drawn	EL	19/1/02	Cat.No:
Approved			Motor type 6385034
Scale	1:2		Customer UNICLE
Gen. tolerance	±0.5		Cat.No:
File:	E-GRV638-5034/VASSY	Vf:	PRINT: 19/1/02